

**CASE**  
CONSTRUCTION

MINI - EXCAVATORS

**CX31B<sup>ZTS</sup> - CX36B<sup>ZTS</sup>**



Engine Horsepower  
Operating weight (max.)  
Max. digging depth

**CX31B**  
22 kW - 30 hp  
3250 kg  
3100 mm

**CX36B**  
22 kW - 30 hp  
3840 kg  
3350 mm

P R O F E S S I O N A L P A R T N E R

# CX31B<sup>ZTS</sup> CX36B<sup>ZTS</sup>



## HYDRAULICS

Completely redesigned component layout: hydraulic components are now grouped on the right side of the machine. A wide, hinged panel provides **easy access to all hydraulic components**. The lower deck can be easily and independently unbolted.



## ENGINE

The **new engines** are still located at the rear but the **access to main components** such as **air filter, engine oil filters** and the **water separator**, is now **highly improved** thanks to the **new layout** and to a **wide, hinged panel**.



## ZERO TAIL SWING

A **smart, compact design** allows these machines to **rotate completely within the width of their tracks**. With the advantage of zero tail swing, operators enjoy the confidence that **the excavator won't strike work-site objects or suffer damage**. In this case, zero means a lot.



## FUEL TANK

The **Polyethylene, rust free, fuel tank** is now located on the left-rear side of the machine and **can be easily refilled from ground level** simply by unscrewing the fuel cap.



### BLADE

The front blade, newly designed, features a sophisticated “roll away” shape.

In backfilling operations, the earth rolls away in front of the blade.

In addition, it ensures unrivalled strokes:

- for quicker backfilling operations;
- for excellent gradeability with the blade raised, to overcome obstacles, such as heaps of earth, on the job site.



### CAB / CANOPY ERGONOMY

Wider entrance and operator compartment.

**Enhanced visibility in all directions**, both in cab and canopy versions. **Ergonomically located, pilot-operated joystick controls**, combined with the well located pedals and switches, provide **maximum operator comfort**.

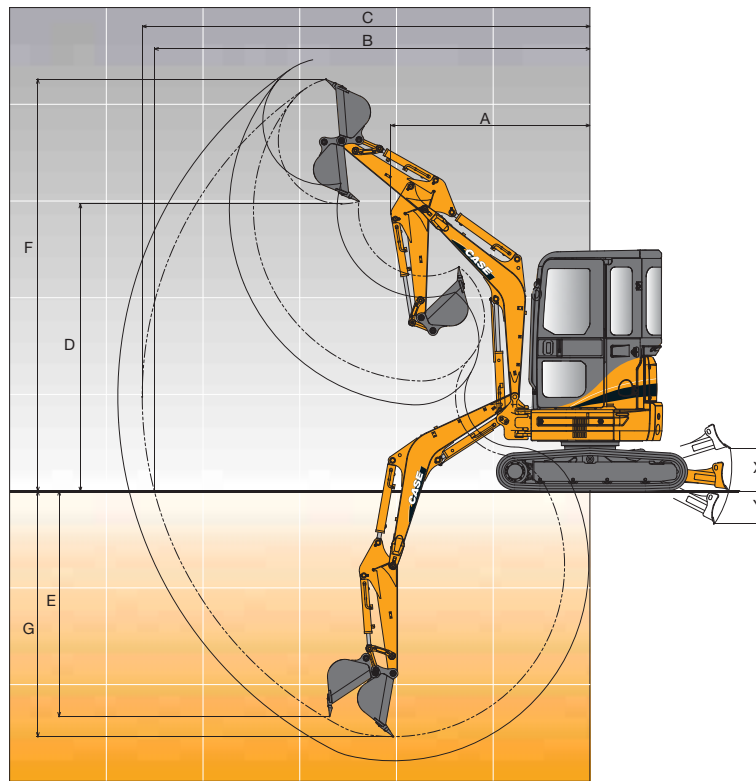


### TRACKS

The machine can be supplied with **rubber or steel tracks** which are **completely interchangeable**. This gives the customer free choice according to the job site where the machine is expected to operate.



# WORKING RANGE



## CX31B<sup>ZTS</sup> canopy

## CX31B<sup>ZTS</sup> cab

## CX36B<sup>ZTS</sup> canopy

## CX36B<sup>ZTS</sup> cab

		CX31B <sup>ZTS</sup> canopy		CX31B <sup>ZTS</sup> cab		CX36B <sup>ZTS</sup> canopy		CX36B <sup>ZTS</sup> cab	
		STD. DIPPER 1.18 m	LONG DIPPER 1.47 m	STD. DIPPER 1.18 m	LONG DIPPER 1.47 m	STD. DIPPER 1.32 m	LONG DIPPER 1.59 m	STD. DIPPER 1.32 m	LONG DIPPER 1.59 m
<b>A</b> Min. swing radius	mm	1920	2000	2280*	2280*	2040	2070	2350*	2340*
<b>B</b> Max. digging reach at ground level	mm	4780	5060	4780	5060	5110	5370	5110	5370
<b>C</b> Max. digging reach	mm	4930	5200	4930	5200	5240	5500	5240	5500
<b>D</b> Max. dumping height	mm	3360	3550	3060*	3200*	3580	3760	3290*	3430*
<b>E</b> Max. vertical digging depth	mm	2160	2430	2160	2430	2390	2650	2390	2650
<b>F</b> Max. digging height	mm	4770	4960	4430*	4580*	4980	5160	4660*	4800*
<b>G</b> Max. digging depth	mm	2810	3100	2810	3100	3080	3350	3080	3350
<b>X</b> Dozer strokes (above)	mm	560	560	560	560	540	540	540	540
<b>Y</b> Dozer strokes (below)	mm	410	410	410	410	440	440	440	440
<b>Bucket breakout force</b>	kN	28		28		28		28	
<b>Dipperstick breakout force</b>	kN	18	15	18	15	19	17	19	17
<b>Bucket range</b>	m <sup>3</sup>	0.05 to 0.12		0.05 to 0.12		0.05 to 0.12		0.05 to 0.12	

\* Improvements available from the following serial number: **CX 31 B** s/n N7GN07321 - **CX 36 B** s/n N7GN07452

## ENGINE

<b>Model</b>	YANMAR 3TNV88P-PYB
<b>Type</b>	Water-cooled, 4 cycle, direct injection, diesel engine*
<b>Cylinders</b>	3
<b>Bore and stroke</b>	88 mm x 90 mm
<b>Displacement</b>	1650 cm <sup>3</sup>
<b>Net output power (ISO 14396)</b>	22 kW/30 hp @ 2400 rpm
<b>Net maximum torque</b>	98.4 Nm @ 1440 rpm
<b>Starting motor</b>	1.7 kW
<b>Alternator</b>	55 A / 12 V
<b>Batteries</b>	1 x 64 Ah

\* Tier 2 emissioned engine complies with 97/68/CE STAGE 2 rules

## PERFORMANCE

<b>Travel speed</b> (rubber/steel tracks)	<b>low</b>	2.5 km/h
	<b>high</b>	4.5 km/h
<b>Gradeability</b>	58% - 30°	
(Gradeability is limited by engine lubrication requirements)		

## CAPACITIES

<b>Fuel</b>	38.0 litres
<b>Coolant</b>	4.6 litres
<b>Engine oil</b>	6.7 litres
<b>Hydraulic system</b>	48.0 litres

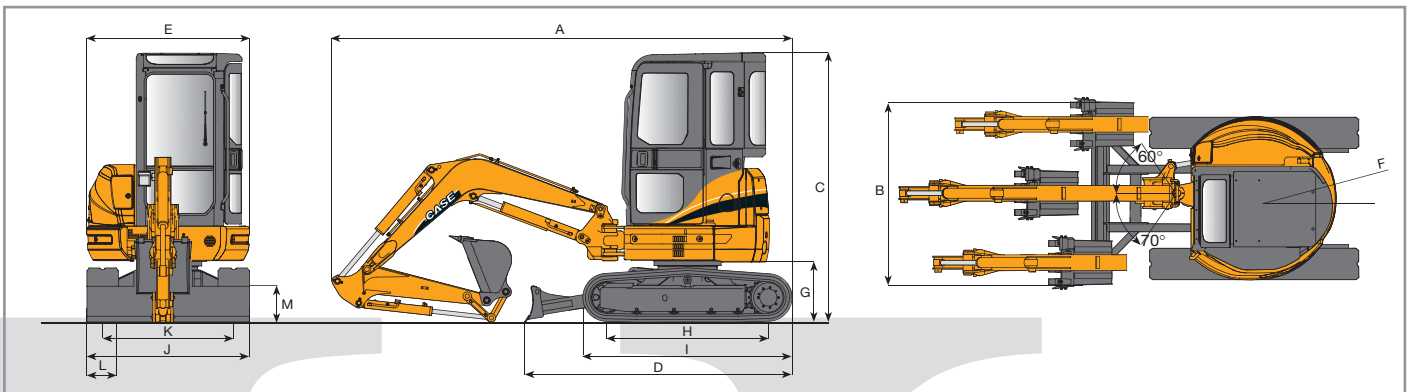
## HYDRAULIC SYSTEM

Hydraulic pumps	2 variable displacement axial piston pumps + 1 gear pump
Total delivery	2 x 38 l/min + 21 l/min
Max. operating pressure	230 bar
Hydraulic motor with reduction gear	2-axial piston, 2-speed motor
Cylinders (boom, dipper, boom swing, bucket, dozer)	Double action cylinders

## SWING

Hydraulic motor	Axial piston type	
Swing speed	9 rpm	
Swing brake	Automatic	
Boom swing type	Hydraulic cylinder	
Boom swing angle	right	60°
	left	70°
Tail swing radius (F)	775 - 850 mm	

## GENERAL DIMENSIONS



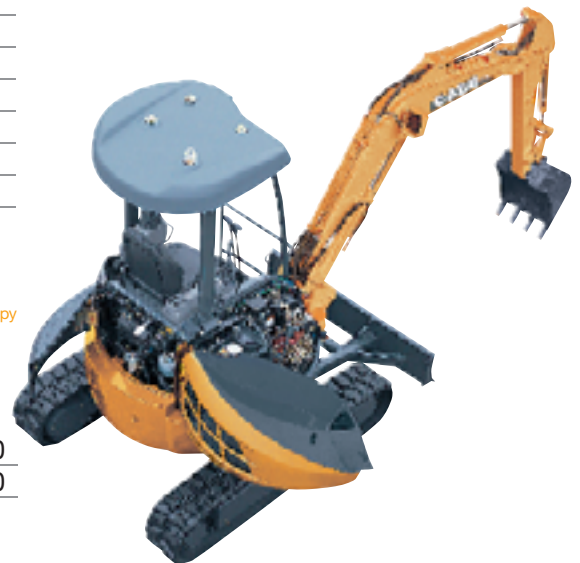
		CX31B <sup>ZTS</sup> CX31B <sup>ZTS</sup> <sub>cab</sub>	CX36B <sup>ZTS</sup> CX36B <sup>ZTS</sup> <sub>cab</sub>
A Overall length	mm	4390	4710
B Overall width	mm	1550	1700
C Overall height	mm	2570	2570
D Basic machine length	mm	2550	2680
E Width of upperstructure	mm	1550	1550
F Tail swing radius	mm	775	850
G Ground clearance of rear end	mm	570	570
H Length of tracks on ground	mm	1540	1700
I Overall length of crawler	mm	2000	2150
J Overall width of crawler	mm	1550	1700
K Track gauge	mm	1250	1400
L Crawler shoe width (rubber/steel)	mm	300	300
M Blade height	mm	345	345
Ground clearance of undercarriage	mm	330	330

## WEIGHTS AND GROUND PRESSURE

		CX31B <sup>ZTS</sup> CX31B <sup>ZTS</sup> <sub>cab</sub>		CX36B <sup>ZTS</sup> CX36B <sup>ZTS</sup> <sub>cab</sub>		
OPERATING WEIGHT	Rubber tracks	kg	3000	3140	3580	3720
	Steel tracks	kg	3110	3250	3700	3840
GROUND PRESSURE	Rubber tracks	bar	0.29	0.30	0.31	0.32
	Steel tracks	bar	0.31	0.32	0.32	0.33

Additional bolted counterweight is available when "High stability" performance is required:

Weight	kg	+250	+250
Tail swing radius	mm	+90	+90



# LIFTING CAPACITY

## CX31B<sup>ZTS</sup> cab

Value are expressed in tonnes

DIPPER 1180 mm																			
Height (m)	Reach												Max reach						
	1.0 m		1.5 m		2.0 m		2.5 m		3.0 m		3.5 m		4.0 m		4.5 m		Front	Side	Reachm
4.0																			
3.5								0.59	0.48										
3.0										0.49	0.42								
2.5										0.49	0.42								
2.0												0.63	0.54	0.49	0.41	0.38	0.32		
1.5							0.82	0.69	0.61	0.52	0.47	0.40	0.38	0.32					
1.0							0.78	0.65	0.59	0.50	0.46	0.39	0.37	0.31			0.34	0.29	4.20
0.5							0.76	0.63	0.57	0.48	0.45	0.38	0.36	0.31					
0					1.08	0.88	0.75	0.62	0.57	0.48	0.45	0.38	0.36	0.31					
-0.5	1.36	1.36	1.49	1.49	1.09	0.89	0.75	0.62	0.56	0.47	0.44	0.38							
-1.0	1.90	1.90	1.95	1.52	1.11	0.90	0.76	0.63	0.57	0.48									
-1.5	2.58	2.58	1.99	1.55	1.13	0.92	0.77	0.65	0.58	0.49									
-2.0					1.02	0.96													
-2.5																			

DIPPER 1470 mm																				
Height (m)	Reach												Max reach							
	1.0 m		1.5 m		2.0 m		2.5 m		3.0 m		3.5 m		4.0 m		4.5 m		Front	Side	Reachm	
4.0																				
3.5														0.49	0.42					
3.0																				
2.5														0.49	0.42	0.38	0.33			
2.0														0.48	0.41	0.38	0.32			
1.5									1.21	1.00	0.83	0.70	0.61	0.52	0.47	0.40	0.37	0.31		
1.0											0.79	0.66	0.59	0.50	0.46	0.39	0.36	0.31		
0.5										1.08	0.88	0.75	0.63	0.57	0.48	0.44	0.37	0.36	0.30	
0					0.80	0.80	1.06	0.87	0.74	0.61	0.55	0.46	0.43	0.36	0.35	0.29				
-0.5	1.08	1.08	1.27	1.27	1.07	0.87	0.73	0.61	0.55	0.46	0.43	0.36	0.35	0.29						
-1.0	1.51	1.51	1.81	1.47	1.08	0.87	0.73	0.61	0.55	0.46	0.43	0.36						0.29	0.25	4.50
-1.5	2.03	2.03	1.93	1.50	1.09	0.89	0.74	0.62	0.56	0.47										
-2.0	2.69	2.69	1.98	1.54	1.12	0.92	0.77	0.64												
-2.5					0.78	0.78														

## CX36B<sup>ZTS</sup> cab

DIPPER 1320 mm																			
Height (m)	Reach												Max reach						
	1.0 m		1.5 m		2.0 m		2.5 m		3.0 m		3.5 m		4.0 m		4.5 m		Front	Side	Reachm
4.0																			
3.5												0.60	0.60						
3.0																			
2.5												0.63	0.62	0.57	0.49				
2.0												0.79	0.78	0.70	0.61	0.56	0.49		
1.5							1.18	1.00	0.88	0.76	0.69	0.59	0.55	0.48	0.45	0.39			
1.0							1.13	0.96	0.85	0.73	0.67	0.58	0.54	0.47	0.45	0.39	0.44	0.38	4.60
0.5							1.10	0.93	0.83	0.71	0.66	0.57	0.54	0.46					
0					1.36	1.31	1.09	0.92	0.82	0.70	0.65	0.56	0.53	0.46					
-0.5	1.39	1.39	1.45	1.45	1.61	1.32	1.09	0.92	0.82	0.70	0.65	0.55	0.53	0.46					
-1.0	1.85	1.85	2.08	2.08	1.62	1.34	1.10	0.93	0.82	0.70	0.65	0.56							
-1.5	2.41	2.41	2.46	2.33	1.65	1.36	1.11	0.94	0.83	0.71									
-2.0			1.78	1.78	1.27	1.27	0.96	0.96											
-2.5					0.65	0.65													

DIPPER 1590 mm																			
Height (m)	Reach												Max reach						
	1.0 m		1.5 m		2.0 m		2.5 m		3.0 m		3.5 m		4.0 m		4.5 m		Front	Side	Reachm
4.0																			
3.5														0.55	0.55				
3.0																			
2.5																0.53	0.50		
2.0																0.55	0.49	0.46	0.40
1.5														0.63	0.61	0.56	0.49	0.45	0.39
1.0														1.07	1.02	0.84	0.76	0.69	0.59
0.5														1.14	0.96	0.85	0.73	0.67	0.58
0										1.05	1.05	1.10	0.93	0.83	0.71	0.65	0.56	0.53	0.46
-0.5	1.13	1.13	1.27	1.27	1.59	1.30	1.08	0.91	0.81	0.69	0.64	0.55	0.52	0.45	0.43	0.37			
-1.0	1.52	1.52	1.76	1.76	1.60	1.31	1.08	0.91	0.80	0.68	0.63	0.54	0.52	0.45					
-1.5	1.98	1.98	2.34	2.29	1.61	1.33	1.09	0.92	0.81	0.69	0.64	0.55							
-2.0	2.52	2.52	2.30	2.30	1.54	1.35	1.11	0.93	0.83	0.71									
-2.5			1.37	1.37	0.97	0.97	0.68	0.68											

As per ISO 10567 with excavator equipped with bucket.

### Worldwide Case Construction Equipment Contact Information

**EUROPE/AFRICA/MIDDLE EAST:**  
Centre D'affaires EGB  
5, Avenue Georges Bataille - BP 40401  
60671 Le Plessis-Belleville - FRANCE

**NORTH AMERICA/MEXICO:**  
700 State Street  
Racine, WI 53404 U.S.A.

**LATIN AMERICA:**  
Av. General David Sarnoff 2237  
32210 - 900 Contagem - MG  
Belo Horizonte BRAZIL

**ASIA PACIFIC:**  
Unit 1 - 1 Foundation Place - Prospect  
New South Wales - 2148 AUSTRALIA

**CHINA:**  
No. 29, Industrial Premises, No. 376,  
De Bao Road, Waigaoqiao Ftz, Pudong,  
SHANGHAI, 200131, P.R.C.

**NOTE:** Standard and optional fittings can vary according to the demands and specific regulations of each country. The illustrations may include optional rather than standard fittings - consult your Case dealer. Furthermore, CNH reserves the right to modify machine specifications without incurring any obligation relating to such changes.

### Case Construction Equipment

CNH UK Ltd.  
Armstrong House  
The Finningley Estate  
Hayfield Lane  
Doncaster  
DN9 3XA  
Fax +44 (0)1302 802126

[www.casece.com](http://www.casece.com)

**CASE**  
CONSTRUCTION



Conforms to directive 98/37/CE